

**M12 MALE 0° / MSUD VALVE PLUG FORM A 18MM**

PVC 5X0.34 YELLOW, 1m

**MSUD**

Form A (18 mm) – M12, male straight

24 V DC  $\pm 25\%$ 

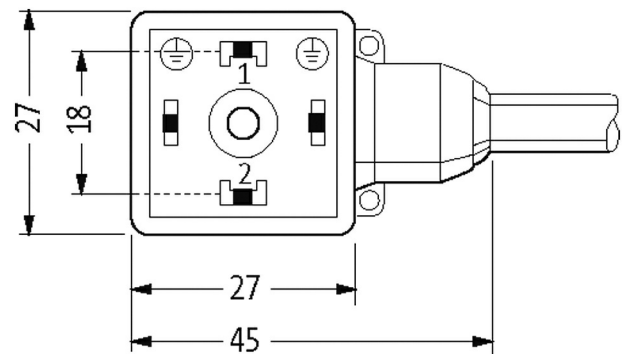
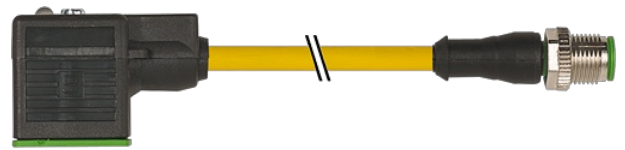
LED (yellow/green)

for pressure switches

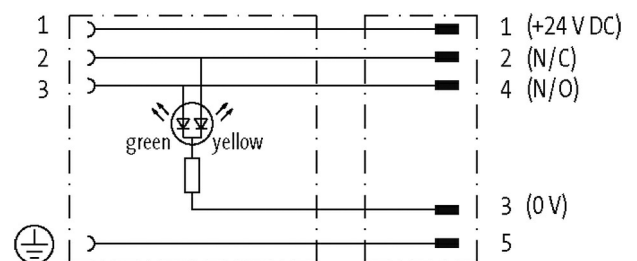
Further cable lengths on request.

Plastic housings with good resistance against chemicals and oils.

The resistance to aggressive media should be individually tested for your application. Further details on request.

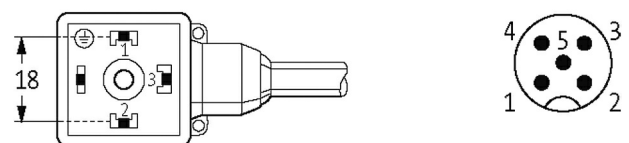
**Illustration**

Height: 30 mm



Female

Male



Product may differ from Image

**Approvals**

cCSAus

\* only for products with UL/CSA approved cable

**Cables**

|                                    |  |
|------------------------------------|--|
| No./diameter of wires              | 5 × 0.34 mm <sup>2</sup>                       |
| Wire isolation                     | PVC (br, wh, bl, bk, gnye)                     |
| Material (jacket)                  | PVC (UL/CSA)                                   |
| Outer Ø                            | 5.2 mm ±5%                                     |
| Bend radius (moving)               | 10 × outer Ø                                   |
| Temperature range (fixed)          | -30...+80 °C                                   |
| Temperature range (mobile)         | -5...+80 °C                                    |
| Cable identification               | 015  |
| Cable Type                         | 1 (PVC)  |
| Approval (cable)                   | UL (AWM-Style 2464/1731), CSA                  |
| Cable weight [g/m]                 | 48,40  |
| Material (wire)                    | Cu wire, bare                                  |
| Resistor (core)                    | max. 60 Ω/km (20 °C)                           |
| Single wire Ø (core)               | 0.15 mm  |
| Construction (core)                | 19 × 0.15 mm (multi-strand wire class 5)       |
| Diameter (core)                    | 5 × 0.34 mm <sup>2</sup>                       |
| AWG                                | similar to AWG 22                              |
| Material (wire isolation)          | PVC  |
| Material property (wire isolation) | CFC-, cadmium-, silicone- and lead-free        |
| Shore hardness (wire isolation)    | 45 ±5 D  |
| Wire-Ø incl. isolation             | 1.25 mm ±5%                                    |
| Color/numbering of wires           | br, bk, bl, wh, gnye longitudinally striped    |
| Stranding combination              | 5 wires twisted around central filler          |
| Shield                             | no   |
| Material (jacket)                  | PVC  |
| Material property (jacket)         | CFC-, cadmium-, silicone- and lead-free        |
| Shore hardness (jacket)            | 85 ±5 A  |
| Outer-Ø (jacket)                   | 5.2 mm ±5%                                     |
| Color (jacket)                     | yellow   |
| chemical resistance                | good resistance to oil, gasoline and chemicals |
| thermal resistance                 | flame retardant UL 1581 VW1 / CSA FT1          |
| Nominal voltage                    | UL 300 V AC                                    |
| Test voltage                       | 2000 V AC                                      |
| Current load capacity              | to DIN VDE 0298-4                              |
| Temperature range (fixed)          | -30...+80 °C                                   |
| Temperature range (mobile)         | -5...+80 °C                                    |
| Bend radius (fixed)                | 5 × outer Ø                                    |
| Bend radius (moving)               | 10 × outer Ø                                   |
| Jacket Color                       | yellow   |

**Technical Data**

|                               |                         |
|-------------------------------|-------------------------|
| Operating voltage             | 24 V DC ±25%            |
| Rated surge voltage           | 0.8 kV                  |
| Operating current per contact | max. 4 A                |
| Current consumption           | max. 15 mA              |
| Material group                | IEC 60664-1, category I |
| Coding                        | A-coded                 |
| LED display                   | (yellow/green)          |

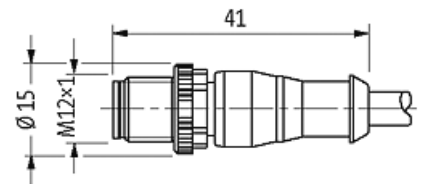
|   |   |
|---|---|
| Locking of ports                          | M3/M12×1 mm (recommended torque 0.4/0.6 Nm) |
| Compression gland                         | M12 (SW13)                                  |
| Protection                                | IP67 inserted and tightened (EN 60529)      |
| Locking material                          | Zinc die casting, matte nickel plated       |
| Material                                  | MSUD (PBT); M12 (PUR)                       |
| suitable for corrugated tube (internal Ø) | 10 mm                                       |
| Housing                                   | Black plastic (gray on request)             |

**General data**

|                   |  |
|-------------------|--|
| Pollution Degree  | 3  |
| Temperature range | -25...+85 °C, depending on cable quality |
| Material (gasket) | PUR                                      |

**Commercial data**

|                       |               |
|-----------------------|---------------|
| country of origin     | CZ            |
| customs tariff number | 85444290      |
| EAN                   | 4048879150286 |
| eClass                | 27279218      |
| Packaging unit        | 1             |

**Sketch**

Product may differ from Image